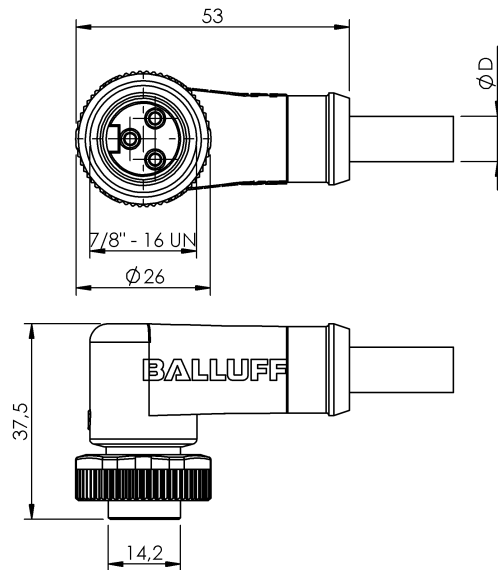


Single-Ended Cordsets  
**BCC A323-0000-10-071-VX43W6-100**  
**Order Code: BCC099N**

**BALLUFF**



**Basic features**

Approval/Conformity	CE cULus WEEE
---------------------	---------------------

**Electrical connection**

Cable	PVC Yellow, 10 m
Cable diameter D	10.24 mm ±0.20 mm
Conductor cross-section	16 AWG
Connection	7/8"-Female, angled, 3-pin
Connector configuration	right-angle
Number of conductors	3
Number of pins	3
System	Molded

**Electrical data**

Cable rated voltage AC max.	600 V
Cable rated voltage DC max.	600 V
Operating voltage $U_b$	300 VDC / 300 VAC
Rated current (40 °C)	13.0 A

**Remarks**

Bulk cable: PVC UL listing, 16/3 ST00W/ST00W CSA FT2 105°C 600 V  
 Enclosure rating per IEC 60529, only in screwed state with the associated mating piece.

**Environmental conditions**

Cable temperature, fixed routing	-40...105 °C
IP rating	IP67, IP68

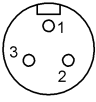
**Material**

Cable jacket, material	PVC
Material contact carrier	PUR
Material contacts	Brass
Material cover nut	Die-cast zinc
Material grip	PUR

**Mechanical data**

Cable jacket, color	Yellow
Cable length L	10.00 m
Tightening torque pigtail	1.5 Nm

## Connector Drawings



PIN 1: green  
PIN 2: black  
PIN 3: white

## Wiring Diagrams

